

Single Phase Meter With Box and MCB

1. BYPL is desirous to pilot of '**Single Phase Meter with Box and MCB**' along with all required accessories e.g. cable glands etc.
2. Indicative drawing of the required solution is enclosed herewith for your reference.
3. This solution may be considered for bulk implementation after ascertaining results of the pilot.
4. **01 No samples** shall be submitted for the offered product with technical evaluation.
5. Following are the technical parameters of the solution:

Sl	Item	Technical parameters
1	Meters	Specification No SPTWM_09_R5 (Rev 5) dated 16/11/2021.
2	Box	a. Specification No SPTWM_09_R5 (Rev 5) dated 16/11/2021. b. Access to MCB On and Off switch shall be provided from outside with sealable cover.
3	MCB	a. 63 A, Double pole, C Type, MCB. b. Approved Make: L&T, Schneider, ABB, Legrand, Havells. (Approval of any other make shall be taken from BYPL during technical evaluation stage.)

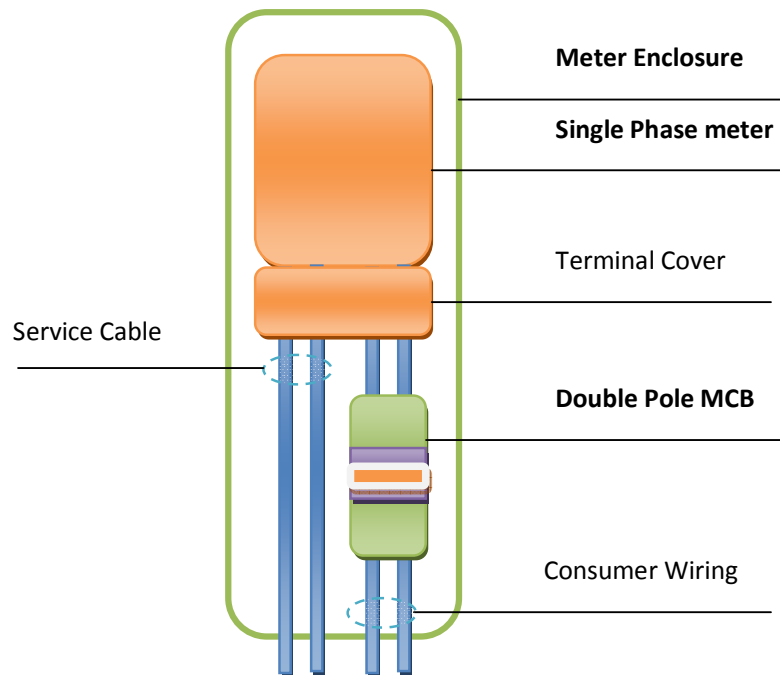


Image 1: Single phase Meter pre-fitted in Enclosure and with MCB.